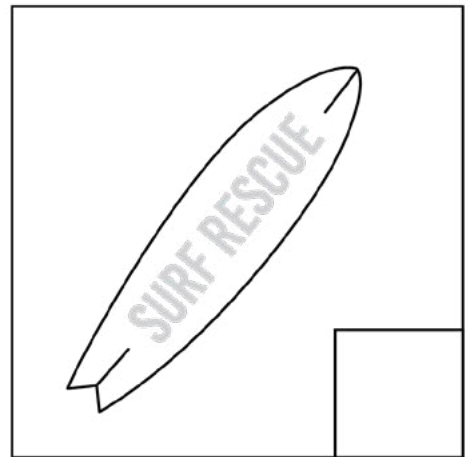
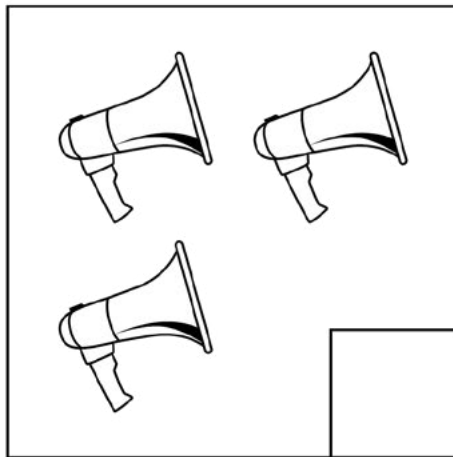
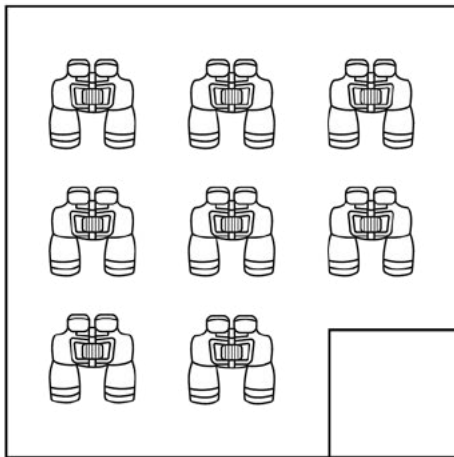
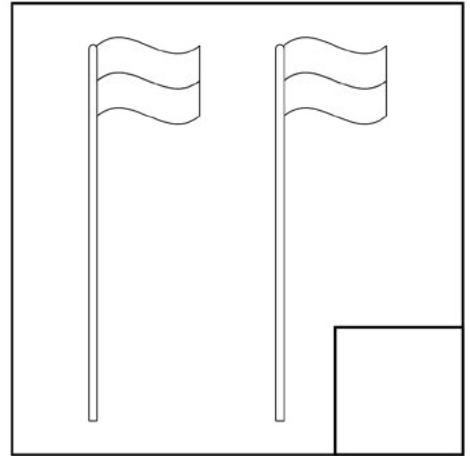
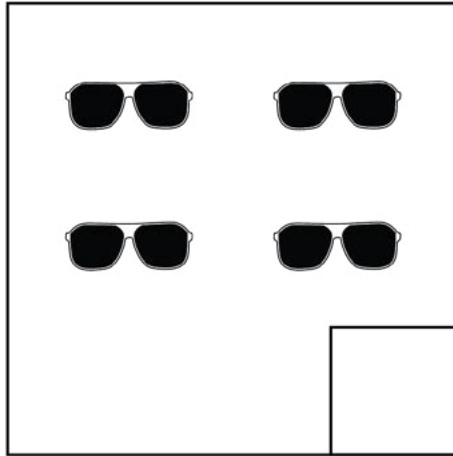
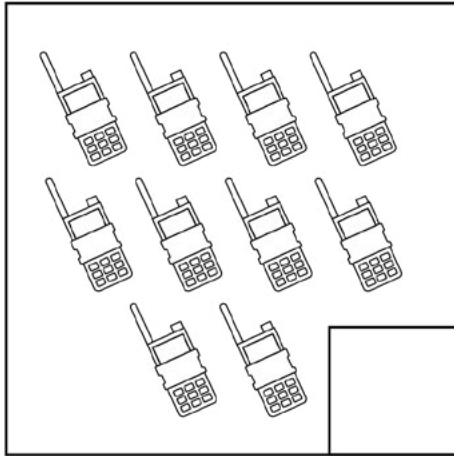


# How many are there?

Here are some things you might see surf life savers using. Count each item and place the correct number in the small box next to each group of items.



1	2	3	4	5
6	7	8	9	10



**THANK  
A FIRST  
RESPONDER  
DAY**

Thank you to our first responders, for the incredible work you do.

#ThankAFirstResponder #PowerOfThanks #TAFRD

[firstresponderday.com.au](http://firstresponderday.com.au)

